

WE UNDERSTAND.



NEUROSURGERY

LUMBAR CATHETER SET

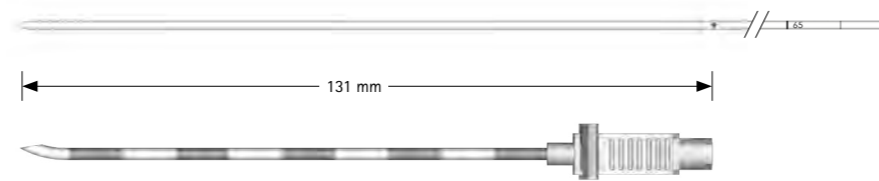
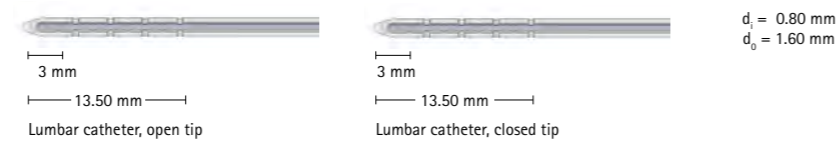
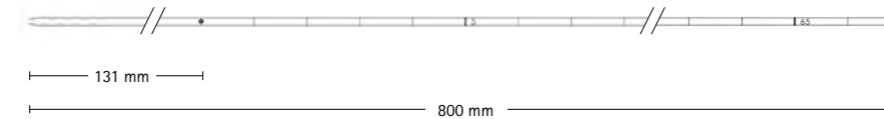
THE LP ADD-ON FOR MIETHKE SHUNTS

LUMBAR CATHETER SET

COMPONENTS

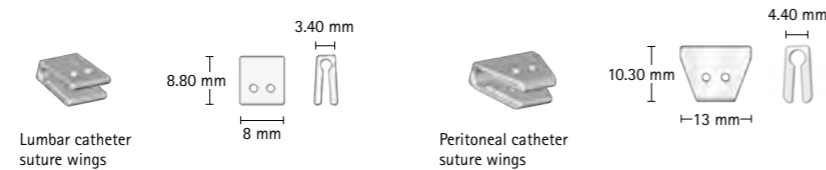
LUMBAR CATHETER – WITH OPEN OR CLOSED TIP

- Barium impregnated silicone catheter for X-ray visibility
- 16 drainage holes, in four opposite rows
- Length markings on both sides
- Length markings aligned to the Tuohy cannula
- Dot mark indicates the zero point of the lumbar catheter exit from the Tuohy cannula
- Markings indicate the length of the lumbar catheter that has emerged from the Tuohy cannula
- Length markings at 10 mm intervals, numerical length markings every 50 mm



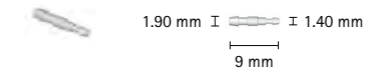
SUTURE WINGS

- Barium impregnated silicone suture wings for X-ray visibility



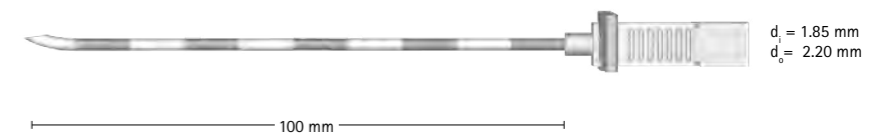
TITANIUM CONNECTOR, STEP-DOWN

- For connecting standard catheter to lumbar catheter

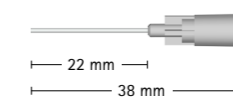


TUOHY CANNULA

- Tuohy cannula with an insertion length of 100 mm
- Length markings at intervals of 10 mm
- Metal stylet

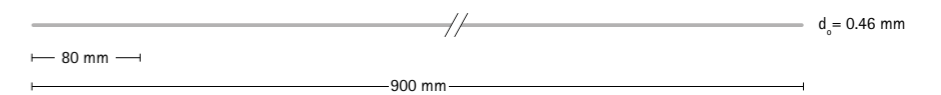


FLUSHING CANNULA LUMBAR CATHETER



GUIDE WIRE (only in the set with a closed lumbar catheter)

- Coated guide wire with flexible tip
- Enables better manoeuvring of the closed lumbar catheter

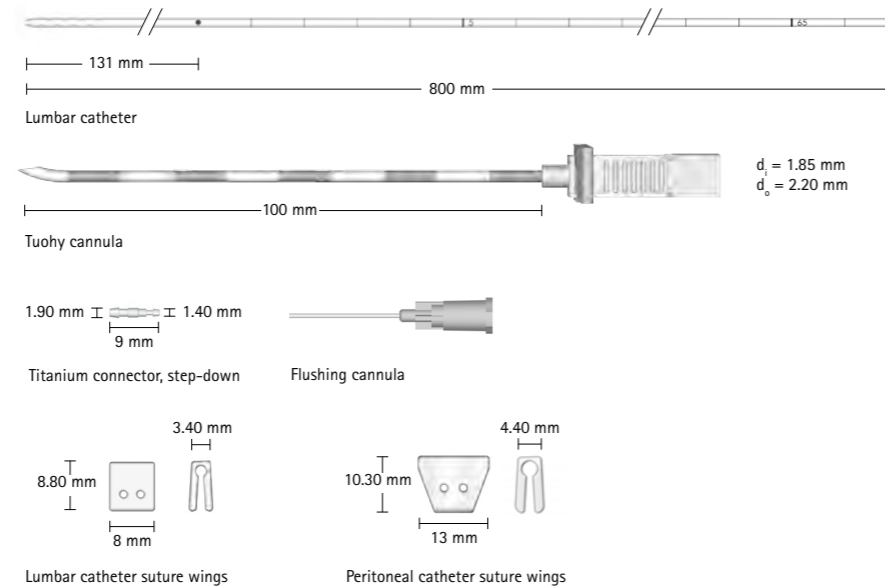


LUMBAR CATHETER SET

LUMBAR CATHETER WITH OPEN TIP

- Barium impregnated silicone catheter for X-ray visibility
- Catheter with 16 drainage holes, in four opposite rows
- Length markings on both sides of the catheter
- Length markings aligned to the Tuohy cannula
- Barium impregnated silicone suture wings for X-ray visibility
- Step-down connector for connecting standard catheter to lumbar catheter

Catheter: $d_i = 0.80 \text{ mm}$, $d_o = 1.60 \text{ mm}$
 Connector: $d_o = 1.90 \text{ mm}$ to 1.40 mm



| Art. No. | Description |
|----------|---|
| FV083P | Lumbar Catheter Set, open tip, long Tuohy cannula <ul style="list-style-type: none"> · Lumbar catheter with open tip, 800 mm long · Tuohy cannula 14G, insertion length 100 mm · Lumbar catheter suture wings, peritoneal catheter suture wings · Titanium connector, step-down · Flushing cannula lumbar catheter |

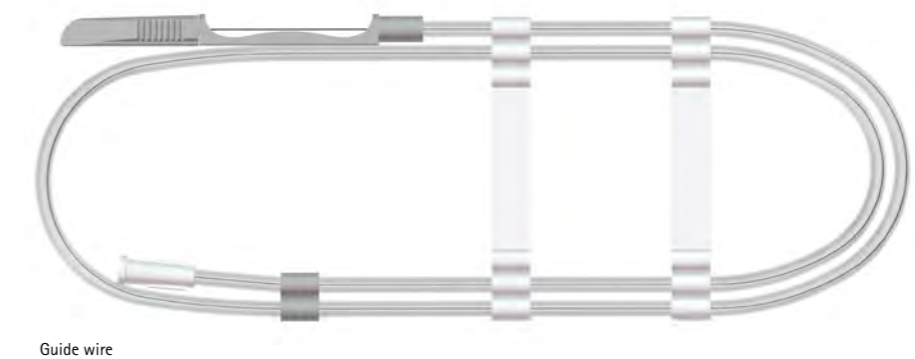
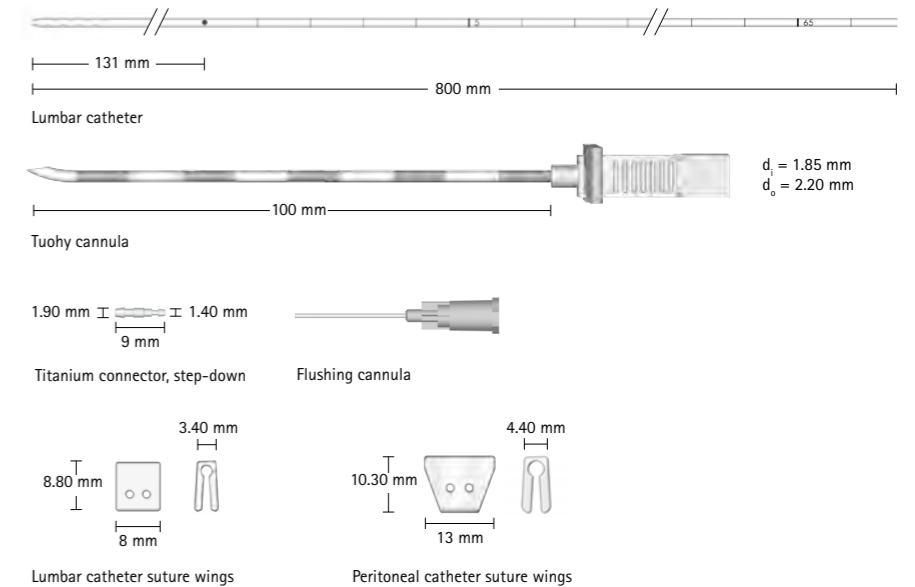
LUMBAR CATHETER SET

LUMBAR CATHETER WITH CLOSED TIP



- Barium impregnated silicone catheter for X-ray visibility
- Catheter with 16 drainage holes, in four opposite rows
- Length markings on both sides of the catheter
- Length markings aligned to the Tuohy cannula
- Barium impregnated silicone suture wings for X-ray visibility
- Step-down connector for connecting standard catheter to lumbar catheter

Catheter: $d_i = 0.80 \text{ mm}$, $d_o = 1.60 \text{ mm}$
 Connector: $d_o = 1.90 \text{ mm}$ to 1.40 mm
 Guide wire: $d_o = 0.46 \text{ mm}$



| Art. No. | Description |
|----------|---|
| FV084P | Lumbar Catheter Set, closed tip, long Tuohy cannula <ul style="list-style-type: none"> · Lumbar catheter with closed tip, 800 mm long · Tuohy cannula 14G, insertion length 100 mm · Lumbar catheter suture wings, peritoneal catheter suture wings · Titanium connector, step-down · Flushing cannula lumbar catheter · Guide wire |

HC&ME APP

My Hydrocephalus Diary



**Document wellbeing,
symptoms & activities**



**Simple overview of all
diary entries**



**Digital patient pass:
All shunts & pressure settings**



**Support of HC research:
voluntary & anonymous***

* for EU Citizens only

Download now for free for iOS and Android.
More information: www.HCandME.com



www.miethke.com



Our Strong Partner in Neurosurgery:



www.bbraun.com



Manufacturer acc. to RL 93/42/EWG



Christoph Miethke GmbH & Co. KG | Ulanenweg 2 | 14469 Potsdam | Germany
Tel. +49 331 62083-0 | Fax +49 331 62083-40 | www.miethke.com

AESCULAP[®] – a B. Braun brand

Aesculap AG | Am Aesculap-Platz | 78532 Tuttlingen | Germany
Phone +49 7461 95-0 | Fax +49 7461 95-2600 | www.aesculap.com

The product trademarks "GAV", "M.blue", "M.blue plus", "miniNAV", "proGAV", "proSA" and "SHUNTASSISTANT" are registered trademarks of Christoph Miethke GmbH & Co. KG in the majority of the world. For more detailed information please contact us: info@miethke.com. The main product trademark "Aesculap" is a registered trademark of Aesculap AG.

Subject to technical changes. All rights reserved. This brochure may only be used for the exclusive purpose of obtaining information about our products. Reproduction in any form partial or otherwise is not permitted.